

2D in 2d

Two-dimensional electrophoresis (2-D electrophoresis) is a powerful and widely used method for the analysis of complex protein mixtures extracted from cells, tissues, or other biological samples. Applications of 2-D electrophoresis includes proteome analysis, cell differentiation, detection of disease markers, monitoring therapies, drug discovery, cancer research, purity checks, and microscale protein purification

OBJECTIVES

To understand theoretical and practical basis of 2D-Gel electrophoresis.

WHO SHOULD ATTEND?

This workshop is designed for new and current users who want to gain a better understanding of proteomics applications and data analysis. This workshop is suitable for post-graduate students, clinicians and researchers from the fields of biological and bio-medical sciences, and biotechnology.

VENUE

Laboratory of Halal Science Research, Halal Product Research Institute, Universiti Putra Malaysia, Serdang

ORGANIZER

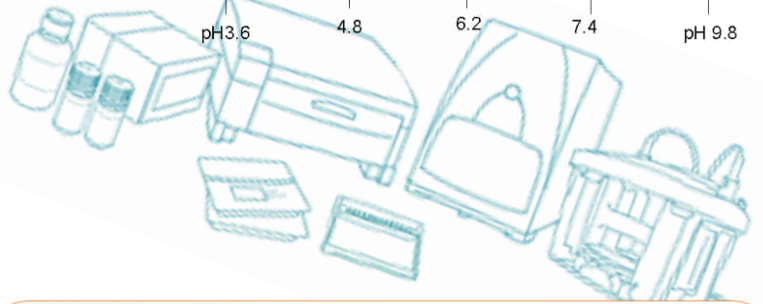
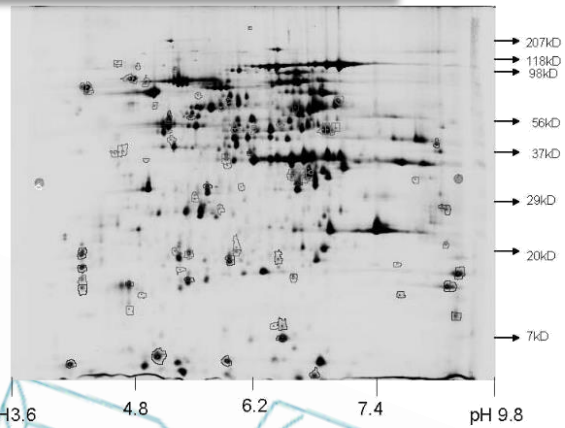
Institute of Tropical Agriculture, UPM
Halal Product Research Institute, UPM

ORGANIZING COMMITTEE

- Patron: Prof. Dr. Zulkifli Idrus
- Advisors: Prof. Dr. Norhani Abdullah,
Assoc. Prof. Dr. Mohd Nasir Bin Mohd Desa
- Chairman: Dr. Abdoreza Soleimani Farjam
- Scientific &: Dr. Zeiad Amjad Aghwan
- Technical Dr. Siti Aimi Sarah Zainal Abidin
Miss Nadia Mat Junoh
Miss Ummu Nasuha Mohd Asri

FOR MORE INFORMATION, PLEASE CONTACT

Mrs. Nurhafizah Matsah
Institute of Tropical Agriculture,
Universiti Putra Malaysia,
Serdang, 43400 Selangor, Malaysia
Phone: (03) 8947 1043
Email: nur_hafizah@upm.edu.my



DEADLINES

Last date for registration 30 May, 2016
Last date for payment 30 May, 2016

Maximum number 12 participants

REGISTRATION FEE*

Students	RM 450
University staff	RM 500
Others	RM 600

*** includes**

- 👉 Two days lecture and group hands-on training
- 👉 Workshop presentation notes
- 👉 Lunch and refreshments
- 👉 Certificate of participation

MODE OF PAYMENT

- ① **Cash/Cheque**
(Cheque to be paid to BENDAHARI UNIVERSITI PUTRA MALAYSIA)
- ② **P.O. or research vote**
Payment using P.O. and research vote must be made payable to Tabung Amanah Seminar/workshop ITA; vote number 6437400

Please complete this form and return to Mrs. Nurhafizah Matsah at ITA office or email nur_hafizah@upm.edu.my

Full name: _____
 Faculty: _____ Department: _____
 Field of study: _____
 Staff/Student number: _____
 Address: _____

 E-mail address: _____
 Hand phone: _____ Office phone: _____

Registration Fee: Student Staff Others
Payment Method: Cash Cheque Vote
 Vote number:

TRAINING WORKSHOP ON
2D Proteomics How & Why

Program

Wednesday, 1st June 2016

08:30 – 09:00	Registration & breakfast & ice breaking
09:00 – 10:30	Introduction to 2D proteomics -Principle and science behind it - Application and usage -Critical success factor in conducting 2D
10:30 – 11:00	Tea break
11:00– 12:30	Lab session Sample preparation and IEF setting
12:30 – 13:45	Lunch
13:45 – 16:00	1 st dimension – strip rehydration and focusing
16:00 - 16:30	Gel preparation
16:30 - 17:00	Brief overview and troubleshooting

Thursday, 2nd June 2016

08:30 – 09:00	Breakfast
09:00 – 10:30	2 nd dimension – strips equilibration and gel assembly
10:30 – 11:00	Tea break
11:00– 12:30	2 nd dimension – SDS gel runs
12:30 – 13:45	Lunch
13:45 – 14:30	Preparation gels for scanning
14:30 – 16:00	Scanning and brief software analysis
16:00 – 16:30	Q&A session and conclusion
16:30 – 17:00	Certificate presentation



Complete 2D-Gel System Standardized Workflow

